

All rights reserved by **CNH Industrial**.

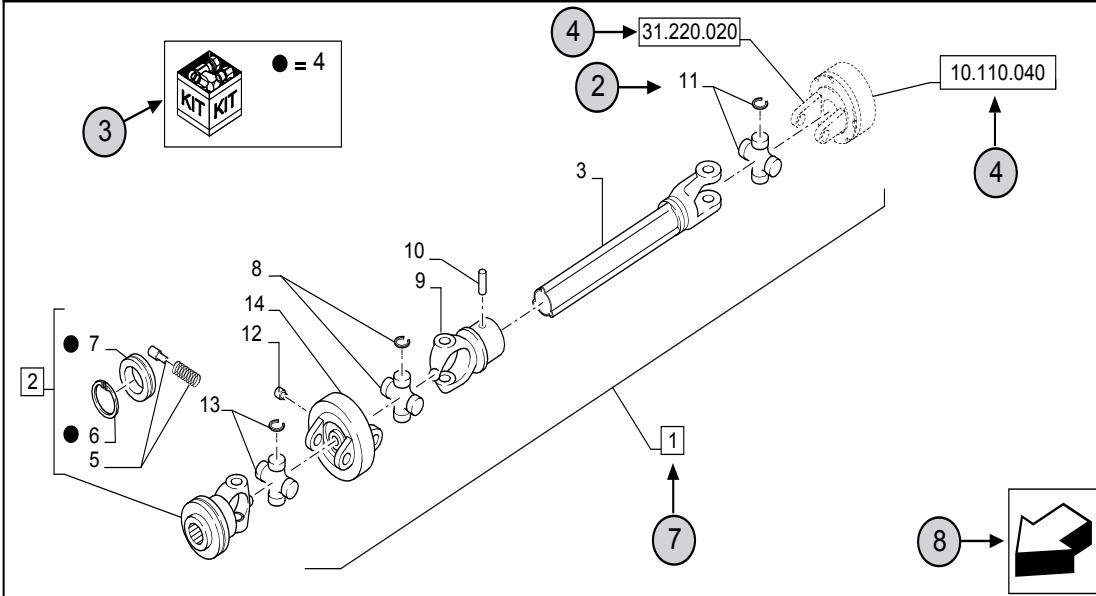
The information contained in this catalogue is intended to be of a general nature only. **CNH Industrial** may at any time and from time to time, for technical or other necessary reasons, modify any of the details or specifications of the product described in this catalogue.

To be sure of getting accurate, detailed and up-to-date information, an intending buyer should consult his nearest **CNH Industrial** dealer or distributor.

Single item numeration method used in this catalogue may not be used without written consent from **CNH Industrial**

31.220.010	01	p1	10/2014
------------	----	----	---------

VAR - 123782, 789101,987654 - PTO - D650



STANDARD ← (6)

(23)	(9)	(10)	31.220.010	01	p1	10/2014
------	-----	------	------------	----	----	---------

VAR - 123782, 789101,987654 - PTO - D650

(11) (12) (13) (14)

REF	FN	PART NUMBER	YR/SN	QTY	DESCRIPTION
1	1	86529340	(20)	1	SHAFT PTO, Incl 2 - 11
2	(15)	84014007		1	YOKE, Incl 4 - 7 ← (7)
3	(16)	NSS		1	NOT SERVICED SEPARATELY, SHAFT, 350mm, Incl in 1
4		84004292		1	KIT, Seal Kit, Incl 6, 7 (17)
4		{84058743}		1	KIT, Seal Kit, Incl 6, 7
(2)	(18)	(19)		(21)	(22)
1 = FOR ITALY ONLY ← (5)					

MODELS ← (1)


- 1 Model Number and Model Description
- 2 Reference - Figure call-out of the part number.
- 3 Parts supplied in repair kits per symbol reference.
- 4 31.220.020 Part illustrated on the **Page** or in the **Figure** indicated, or calls for **Variations** or **Details**. Indicates components shown in detail elsewhere in the catalogue under the figure number shown.
- 5 Footnote references
- 6 Figure notes
- 7 1 2 Includes item(s) (See Description within partlist).
- 8 Orientation. (Arrow indicates front of the machine). 
- 9 Figure description.
- 10 General information of the figure.
- 11 Figure title number that aligns with the SRT. Standard Repair Time.
- 12 **Sequence** code within the assembly.
- 13 Page number within the sequence code.
- 14 **Date** of printing or updating of page (month-year).
- 15 **Note** - Relating to the Part Number. There is a key to symbols and abbreviations at the bottom of the text page.
- 16 Non-serviced parts.
- 17 Further description of the part to help confirm identification.
- 18 Not available as service part.
- 19 Part Number.
- 20 To be defined.
- 21 Total **Quantity** of the Part referred to in the page.
The quantity can be replaced by the following indications:
AR = quantity as requested.
- 22 Part **Description**.
- 23 Variant Codes

TABLE OF CONTENTS

0.0040		VARIATION
0.0040/01		VARIATION
0.0040/02		VARIATION
0.0042		SERVICE PARTS CATALOGUE AND BINDER
0.01.1		INITIAL STOCKING LIST (ISL)
0.05.4	01	MAINTENANCE PARTS - FILTERS
0.05.4	01	MAINTENANCE PARTS - FILTERS
0.05.4	01	MAINTENANCE PARTS - FILTERS
0.05.4	02	MAINTENANCE PARTS - STARTER MOTOR, ALTERNATOR, BELTS
0.05.4	03	MAINTENANCE PARTS - FUSES
0.05.4	04	MAINTENANCE PARTS - BULBS
0.05.4	05	MAINTENANCE PARTS - PUMPS
D.I.A.		DEALER INSTALLED ACCESSORY KITS INDEX
MAIN		MAIN SECTIONS
SEC. 01	01	ENGINE
SEC. 01	02	ENGINE
SEC. 02		ENGINE EQUIP.
SEC. 03		TRANSMISSION
SEC. 04		FRONT AXLE
SEC. 05		REAR AXLE
SEC. 06		ELECTRICAL
SEC. 07		HYDRAULICS
SEC. 08		SHEET METAL
SEC. 09		LINKAGE
SEC. 10		DRIVER'S COMPARTMENT
SEC. 11	01	TRACTION
SEC. 11	02	TRACTION
SEC. 13		DECALS
0.02.1		ENGINE ASSY
0.02.1/01		ENGINE ASSY
0.04.0	01	CYLINDER BLOCK & RELATED PARTS
0.04.0	02	ENGINE - BLOCK HEATER - NA
0.04.2		OIL SUMP & RELATED PARTS
0.04.3	01	ENGINE BLOCK FRONT COVER
0.04.3	02	FLYWHEEL CASE
0.04.5		ENGINE BREATHERS

TABLE OF CONTENTS

0.06.0		CYLINDER HEAD & RELATED PARTS
0.06.3		CYLINDER HEAD COVERS
0.06.6		ROCKER SHAFT
0.07.1		INTAKE MANIFOLD
0.07.7		EXHAUST MANIFOLD
0.08.0		CRANKSHAFT
0.08.1		CONNECTING ROD
0.08.2		PISTON - ENGINE
0.08.3		FLYWHEEL
0.08.4		PULLEY - CRANKSHAFT
0.10.5		DYNAMIC BALANCER, GEARS & SHAFTS
0.12.0		CAMSHAFT - TIMING CONTROL
0.14.0	01	INJECTION PUMP
0.14.0	02	INJECTION EQUIPMENT - INJECTOR
0.14.0/01		INJECTION PUMP
0.14.6		INJECTION EQUIPMENT - PIPING
0.14.6/01		INJECTION EQUIPMENT - PIPING
0.14.9		INJECTION EQUIPMENT - PIPING
0.14.9/01		INJECTION EQUIPMENT - PIPING
0.17.3		CONNECTIONS CABLE FOR ENGINE INJECTION
0.17.3/01		CONNECTIONS CABLE FOR ENGINE INJECTION
0.20.0		FUEL FILTER
0.20.1		FUEL PUMP
0.20.3		PIPING - FUEL
0.20.3/01		PIPING - FUEL
0.20.4		INJECTION EQUIPMENT - PIPING
0.20.4/01		INJECTION EQUIPMENT - PIPING
0.24.0		TURBOCHARGING
0.27.0		ENGINE OIL DIPSTICK
0.30.0		PUMP, ENGINE OIL & RELATED PARTS
0.30.2		FILTER ENGINE OIL
0.30.5		OIL PUMP PIPING
0.31.0		HEAT EXCHANGER
0.32.0		WATER PUMP & RELATED PARTS
0.32.3		PIPING - ENGINE COOLING SYSTEM
0.32.6		TEMPERATURE CONTROL (THERMOSTAT)

TABLE OF CONTENTS

0.34.0		WATER PUMP DRIVE
0.34.5		FAN DRIVE
0.35.0		POWER TAKE OFF
0.36.0		STARTER MOTOR
0.40.0		ALTERNATOR
0.45.0		HOOKS - ENGINE
0.70.0		DIAGNOSTIC SENSOR
1.10.0		THROTTLE CONTROL LINKAGE
1.14.0		FUEL TANK
1.14.0/01		FUEL TANK SHIELD PROTECTION - GUARD (VAR.330135)
1.14.0/02	01	FUEL TANK WITH CLEARANCE FROM GROUND 70MM - FUEL TANK AND GUARD (VAR.330209)
1.14.0/02	02	FUEL TANK WITH CLEARANCE FROM GROUND 70MM (VAR.330209)
1.14.0/03		FUEL TANK SHIELD PROTECTION - GUARD - D5976 (VAR.331135)
1.14.6		FUEL PIPES
1.14.7		FUEL TANK SUPPORT
1.15.1		SILENCER (MUFFLER)
1.15.1/01		VERTICAL EXHAUST W/GUARD SHIELD - GUARD (VAR.330134-332134)
1.15.1/02		HORIZONTAL EXHAUST WITH GUARD SHIELD (VAR.330150)
1.15.1/03		VERTICAL EXHAUST LESS GUARD SHIELD (VAR.331134)
1.17.0	01	RADIATOR AND COOLING TANK
1.17.0	02	RADIATOR & RELATED PARTS
1.19.1	01	DRY AIR CLEANER
1.19.1	02	DRY AIR CLEANER
1.19.1/01		DRY AIR CLEANER WITH DUST EJECTOR (VAR.330200)
1.21.0	01	TRACTOR BODY
1.21.0	02	TRACTOR BODY
1.21.0	03	TRACTOR BODY
1.21.1		SUPPORT
1.21.1/01		FRONT LOADER BRACKETS - BRACKETS (VAR.331489-332489)
1.21.1/02		2WD FRONT AXLE - SUPPORT (VAR.330581-330582)
1.25.0		CLUTCH
1.25.0/01		16X16 HYDRAULIC TRANSMISSION WITH SYNCHRO GEARS AND POWER SHUTTLE - CLUTCH (VAR.330278)
1.26.2		CLUTCH - LEVERS AND TIE ROD
1.26.5		PTO ENGAGEMENT CLUTCH
1.27.3	01	POWER SHUTTLE - CONTROL VALVE WITH SOLENOIDS
1.27.3	02	POWER SHUTTLE - PIPES AND MANIFOLDS

TABLE OF CONTENTS

1.27.7	01	MEGA FLOW PUMP (62 L/MIN) AND OIL COOLER - RADIATOR & PIPES (VAR.330823-332823)
1.27.7	02	MEGA FLOW PUMP (62 L/MIN) AND OIL COOLER - BRACKETS (VAR.330823-332823)
1.28.1	01	TRANSMISSION GEARS
1.28.1	02	TRANSMISSION GEARS
1.28.1	03	TRANSMISSION GEARS
1.28.1	04	TRANSMISSION GEARS
1.28.1/01	01	16X16 HYDRAULIC TRANSMISSION WITH SYNCHRO GEARS AND POWER SHUTTLE - GEAR SHAFT (VAR.330278)
1.28.1/01	02	16X16 HYDRAULIC TRANSMISSION WITH SYNCHRO GEARS AND POWER SHUTTLE - DRIVEN GEARS (VAR.330278)
1.28.1/01	03	16X16 HYDRAULIC TRANSMISSION WITH SYNCHRO GEARS AND POWER SHUTTLE - TRANSM. GEARS (VAR.330278)
1.28.1/01	04	16X16 HYDRAULIC TRANSMISSION WITH SYNCHRO GEARS AND POWER SHUTTLE - TRANSM. GEARS (VAR.330278)
1.28.1/02	01	28X16 FÜR 16X16 MECHANISCHE GETRIEBE (CREEPER) - REVERS. DRIVEN GEAR (VAR.330111)
1.28.1/02	02	28X16 FOR 16X16 MECHANICAL TRANSMISSION (CREEPER) - CLUTCH SHAFT-ROD & FORK (VAR.330111)
1.28.7	01	16X16 HYDRAULIC TRANSMISSION WITH SYNCHRO GEARS AND POWER SHUTTLE - CLUTCH COVER PLATE (VAR.330278)
1.28.7	02	16X16 HYDRAULIC TRANSMISSION WITH SYNCHRO GEARS AND POWER SHUTTLE - CLUTCH DISKS (VAR.330278)
1.28.7	03	16X16 HYDRAULIC TRANSMISSION WITH SYNCHRO GEARS AND POWER SHUTTLE - CLUTCH DISKS (VAR.330278)
1.28.7	04	16X16 HYDRAULIC TRANSMISSION WITH SYNCHRO GEARS AND POWER SHUTTLE - DRIVEN GEAR SHAFT (VAR.330278)
1.28.8	01	GEAR LUBRICATION SYSTEM
1.28.8	02	GEAR LUBRICATION SYSTEM
1.28.8/01		REAR MECHANICAL DIFF. LOCK FOR MECHANICAL TRANSM. - GEAR LUBRICATION SYSTEM (VAR.330381-331381)
1.28.8/02		REAR MECH. DIFF. LOCK WITH EL. HYDR. ENGAGEMENT FOR POWER SHUTTLE-UNIONS AND PIPES (VAR.332381-335381)
1.29.0		TRANSMISSION INTERNAL SHIFTING CONTROLS
1.29.1		TRANSMISSION EXTERNAL SHIFTING CONTROLS - REVERSER CONTROL
1.29.1/01		28X16 FOR 16X16 MECHANICAL TRANSMISSION (CREEPER) - BRACKET AND TIE-ROD (VAR.330111)
1.29.1/02	01	INTERLOCK FOR MECHANICAL TRANSMISSION - NA - BRACKET AND TIE-ROD (VAR.332111)
1.32.1	01	TRANSMISSION 12X12 - CENTRAL REDUCTION GEARS
1.32.1	02	TRANSMISSION 12X12 - CENTRAL REDUCTION GEARS
1.32.1	03	TRANSMISSION 12X12 - CENTRAL REDUCTION GEARS
1.32.1/01	01	TRANSMISSION 16X16 - CENTRAL REDUCTION GEARS (VAR.330278-330271)
1.32.1/01	02	TRANSMISSION 16X16 - CENTRAL REDUCTION GEARS (VAR.330278-330271)
1.32.1/01	03	TRANSMISSION 16X16 - CENTRAL REDUCTION GEARS (VAR.330278-330271)
1.32.2	01	TRANSMISSION 12X12 - CENTRAL REDUCTION GEARS CONTROLS
1.32.2	02	TRANSMISSION 12X12 - CENTRAL REDUCTION GEARS CONTROLS
1.32.2	03	TRANSMISSION 12X12 - CENTRAL REDUCTION GEARS CONTROLS
1.32.2/01	01	TRANSMISSION 16X16 - CENTRAL REDUCTION GEARS CONTROLS (VAR.330271-330278)

TABLE OF CONTENTS

1.32.2/01	02	TRANSMISSION 16X16 - CENTRAL REDUCTION GEARS CONTROLS (VAR.330271-330278)
1.32.2/01	03	TRANSMISSION 16X16 - CENTRAL REDUCTION GEARS CONTROLS (VAR.330271-330278)
1.32.4		DIFFERENTIAL GEARS
1.32.6		LOCK, DIFFERENTIAL
1.32.7		DIFFERENTIAL LOCK CONTROL
1.33.0		IDLER CASE & COVERS - 4WD
1.33.0/01		4WD ELECTROHYDRAULIC COUPLING FOR MDC - IDLER CASE & COVERS (VAR.330307-333307)
1.33.1		4WD TRANSMISSION GEARINGS
1.33.1/01		REAR MECHANICAL DIFF. LOCK WITH MEGA PUMP AND OIL COOLER - SOLENOID VALVE CAPS (VAR.330381)
1.33.1/02	01	REAR MECHANICAL DIFF. LOCK WITH ELECTRO-HYDR. ENGAGEMENT AND MECHANICAL TRANSM. - SOLENOID VALVE (VAR.331381-335381)
1.33.1/02	02	REAR MECHANICAL DIFF. LOCK WITH ELECTRO-HYDR. ENGAGEMENT AND MECHANICAL TRANSM. - SOLENOID VALVE (VAR.331381-335381)
1.33.1/03	01	4WD ELECTROHYDRAULIC COUPLING FOR MDC - DRIVE SHAFT (VAR.330307)
1.33.1/03	02	4WD ELECTROHYDRAULIC COUPLING FOR MDC - TRANSMISSION GEARINGS (VAR.330307)
1.33.1/03	03	4WD ELECTROHYDRAULIC COUPLING FOR MDC - TRANSMISSION GEARINGS (VAR.330307)
1.33.1/04		4WD ELECTROHYDRAULIC COUPLING FOR MDC AND WATERPROOF - DRIVE SHAFT (VAR.333307)
1.33.1/05	01	REAR MECH. DIFF. LOCK FOR POWER SHUTTLE - SOLENOID VALVE CAPS - C6389 (VAR.332381)
1.33.1/05	01A	REAR MECH. DIFF. LOCK FOR POWER SHUTTLE - SOLENOID VALVE CAPS - D6389 (VAR.332381)
1.33.1/05	02	REAR MECH. DIFF. LOCK FOR POWER SHUTTLE - SOLENOID VALVE CAPS (VAR.332381)
1.33.2		IDLER CONTROLS - 4WD
1.38.5		PROPELLER SHAFT - 4WD
1.38.5/01		4WD WATERPROOF TRANSMISSION (VAR.332448)
1.40.0/01		FRONT AXLE - BOX - 4WD
1.40.0/02		4WD FRONT AXLE - STEERING KNUCKLE
1.40.0/03		4WD FRONT AXLE - HUB
1.40.0/05		FRONT AXLE - SUPPORT - 4WD
1.40.0/06	01	4WD FRONT AXLE - BEVEL GEAR/PINION SET
1.40.0/06	02	4WD FRONT AXLE - BEVEL GEAR/PINION SET
1.40.0/06	03	4WD FRONT AXLE - BEVEL GEAR/PINION SET
1.40.0/06	04	4WD FRONT AXLE - BEVEL GEAR/PINION SET
1.40.0/07		4WD FRONT AXLE - DIFFERENTIAL
1.40.0/10	01	FRONT AXLE - DIFFERENTIAL GEARS AND SHAFT - 4WD
1.40.0/10	02	FRONT AXLE - DIFFERENTIAL GEARS AND SHAFT - 4WD
1.40.0/10A		4WD FRONT AXLE - DIFFERENTIAL SHAFT - BREAKDOWN
1.40.0/12		4WD FRONT AXLE - HYDRAULIC STEERING CYLINDER
1.40.0/12A		4WD FRONT AXLE - HYDRAULIC STEERING CYLINDER - BREAKDOWN

TABLE OF CONTENTS

1.40.1/07		FRONT AXLE W/LIMITED SLIP DIFF, L/FRONT BRAKES (30 KM/H) - DIFFERENTIAL (VAR.330328)
1.40.2/06	01	FRONT AXLE W/LIMITED SLIP DIFF, L/FRONT BRAKES (40 KM/H) - BEVEL GEAR/PINION SET (VAR.332328)
1.40.2/06	02	FRONT AXLE W/LIMITED SLIP DIFF, L/FRONT BRAKES (40 KM/H) - SHIMS (VAR.332328)
1.40.2/06	03	FRONT AXLE W/LIMITED SLIP DIFF, L/FRONT BRAKES (40 KM/H) - SHIMS (VAR.332328)
1.40.2/06	04	FRONT AXLE W/LIMITED SLIP DIFF, L/FRONT BRAKES (40 KM/H) - SHIMS (VAR.332328)
1.40.2/07		FRONT AXLE W/LIMITED SLIP DIFF, L/FRONT BRAKES (40 KM/H) - DIFFERENTIAL (VAR.332328)
1.40.3/01		FRONT AXLE WITH LIMITED SLIP DIFF., WITH FRONT BRAKE (40 KM/H) - BOX (VAR.331324)
1.40.3/02		FRONT AXLE WITH LIMITED SLIP DIFF., WITH FRONT BRAKE (40 KM/H) - STEERING KNUCKLE (VAR.331324)
1.40.3/03		FRONT AXLE WITH LIMITED SLIP DIFF., WITH FRONT BRAKE (40 KM/H) - HUB (VAR.331324)
1.40.3/06	01	FRONT AXLE WITH LIMITED SLIP DIFF., WITH FRONT BRAKE (40 KM/H) - BEVEL GEAR/PINION SET (VAR.331324)
1.40.3/06	02	FRONT AXLE WITH LIMITED SLIP DIFF., WITH FRONT BRAKE (40 KM/H) - SHIMS (VAR.331324)
1.40.3/06	03	FRONT AXLE WITH LIMITED SLIP DIFF., WITH FRONT BRAKE (40 KM/H) - SHIMS (VAR.331324)
1.40.3/06	04	FRONT AXLE WITH LIMITED SLIP DIFF., WITH FRONT BRAKE (40 KM/H) - SHIMS (VAR.331324)
1.40.3/07		FRONT AXLE WITH LIMITED SLIP DIFF., WITH FRONT BRAKE (40 KM/H) - DIFFERENTIAL (VAR.331324)
1.40.3/10	01	FRONT AXLE WITH LIMITED SLIP DIFF., WITH FRONT BRAKE (40 KM/H) - DIFFER. GEARS AND SHAFT (VAR.331324)
1.40.3/10	02	FRONT AXLE WITH LIMITED SLIP DIFF., WITH FRONT BRAKE (40 KM/H) - DIFFER. GEARS AND SHAFT (VAR.331324)
1.40.3/10	03	FRONT AXLE WITH LIMITED SLIP DIFF., WITH FRONT BRAKE (40 KM/H) - COVER PLATE (VAR.331324)
1.40.3/10A		DIFFERENTIAL SHAFT - BREAKDOWN
1.40.3/12		FRONT AXLE WITH LIMITED SLIP DIFF., WITH FRONT BRAKE (40 KM/H) - HYDR. STEER. CYL. (VAR.331324)
1.40.3/13		FRONT AXLE WITH LIMITED SLIP DIFF., WITH FRONT BRAKE (40 KM/H) - PIPES (VAR.331324)
1.41.0	01	2WD FRONT AXLE - BOX (VAR.330581)
1.41.0	02	2WD FRONT AXLE - STEERING KNUCKLE AND HUB (VAR.330581)
1.41.0	03	2WD FRONT AXLE - STEERING ROD (VAR.330581)
1.41.0	04	2WD FRONT AXLE - STEERING CYLINDER (VAR.330581)
1.41.0/01	01	2WD FRONT AXLE WITH LOW PROFILE - BOX (VAR.330582)
1.41.0/01	02	2WD FRONT AXLE WITH LOW PROFILE - STEERING KNUCKLE AND HUB (VAR.330582)
1.41.0/01	03	2WD FRONT AXLE WITH LOW PROFILE - ROD (VAR.330582)
1.41.0/01	04	2WD FRONT AXLE WITH LOW PROFILE - STEERING CYLINDER (VAR.330582)
1.42.0		HYDRAULIC PUMP
1.42.0/ A		HYDRAULIC PUMP - BREAKDOWN
1.42.0/ B		HYDRAULIC PUMP - BREAKDOWN - C5996
1.42.0/ C		HYDRAULIC PUMP - BREAKDOWN - D5996
1.43.0		2WD FRONT MUDGUARDS (VAR.330863)
1.43.0/01		FRONT FENDERS (4WD) (VAR.330484-331484)
1.43.0/02		WIDE FRONT FENDERS (4WD) (VAR.330485-331485)

TABLE OF CONTENTS

1.43.0/03	01	NARROW DYNAMIC FRONT FENDERS (4WD) (VAR.338486)
1.43.0/03	02	NARROW DYNAMIC FRONT FENDERS (4WD) - SUPPORTS (VAR.338486)
1.43.0/03A		DYNAMIC FRONT FENDERS (4WD) - SUPPORTS - BREAKDOWN
1.43.0/04	01	WIDE DYNAMIC FRONT FENDERS (4WD) (VAR.330486)
1.43.0/04	02	WIDE DYNAMIC FRONT FENDERS (4WD) - SUPPORTS (VAR.330486)
1.44.0		SUPPORT AND FRONT WEIGHTS WITH BUILT-IN PULL HOOK (VAR.330234)
1.44.0/01		FRONT SUPPORT AND WEIGHTS WITH 4 HEAVY PLATES (VAR.330235)
1.44.0/02		FRONT WEIGHT SUPPORT WITH 6 PLATES (VAR.330236)
1.48.1	01	FINAL DRIVE, GEARS AND SHAFTS
1.48.1	02	FINAL DRIVE, GEARS AND SHAFTS
1.48.1	03	FINAL DRIVE, GEARS AND SHAFTS
1.48.1/01	01	WATERPROOFING FOR MECHANICAL TRANSMISSION - FINAL DRIVE, GEARS AND SHAFTS (VAR.332448-330449)
1.48.1/01	02	WATERPROOFING FOR MECHANICAL TRANSMISSION - FINAL DRIVE, GEARS AND SHAFTS (VAR.332448-330449)
1.48.2		4 REAR BALLAST (50KG) (VAR.330470)
1.48.2/01		6 REAR BALLAST (32KG) (VAR.330471)
1.65.3		PARKING BRAKE SYSTEM
1.65.5		PARKING BRAKE
1.67.2		HANDBRAKE CONTROL
1.68.2		BRAKING SYSTEM TANK
1.68.5		BRAKE PIPING
1.68.5/01	01	FRONT AXLE WITH LIMITED SLIP DIFF., WITH FRONT BRAKE (40 KM/H) - VALVE (VAR.331324)
1.68.5/01	02	FRONT AXLE WITH LIMITED SLIP DIFF., WITH FRONT BRAKE (40 KM/H) - PIPES (VAR.331324)
1.74.1		BATTERY MOUNTING
1.75.0		ELECTRIC CONTROLS
1.75.0/01		16X16 HYDR. TRANSMISSION WITH SYNCHRO GEARS AND POWER SHUTTLE - ELECTR. CONTROL UNIT (VAR.330278)
1.75.1		POWER SHUTTLE LEVER COVER
1.75.3	01	BATTERY CABLES - C6502
1.75.3	01A	BATTERY CABLES - D6502
1.75.3/01		BATTERY CABLES LESS BATTERY ISOLATOR SWITCH (VAR.338798)
1.75.4	01	AUXILIARY CABLES
1.75.4	02	AUXILIARY CABLES
1.75.4	03	AUXILIARY CABLES
1.75.4	04	AUXILIARY CABLES
1.75.4/01		AUXILIARY CABLES LESS BATTERY ISOLATOR SWITCH (VAR.333006)
1.75.4/02		ADDITIONAL POWER POINTS (VAR.330755-330756)

TABLE OF CONTENTS

1.75.4/03	01	NA TRACTION SELECTION WITH MECH. TRANSMISSION - AUXILIARY CABLES (VAR.332400-332401)
1.75.4/03	02	NA TRACTION SELECTION WITH MECH. TRANSMISSION - AUXILIARY CABLES (VAR.332400-332401)
1.75.4/03	03	NA TRACTION SELECTION WITH MECH. TRANSMISSION - AUXILIARY CABLES (VAR.332400-332401)
1.75.4/04	01	ISO TRACTION SELECTION WITH 16X16 HYDR. TRANSMISSION - AUXILIARY CABLES (VAR.334401-330402)
1.75.4/04	02	ISO TRACTION SELECTION WITH 16X16 HYDR. TRANSMISSION - AUXILIARY CABLES (VAR.334401-330402)
1.75.4/05		NA TRACTION SELECTION WITH HYDR. TRANSMISSION - AUXILIARY CABLES (VAR.331402-335401)
1.75.4/06		AIR HEATER ENGINE STARTING AID - HEATER, CABLES AND BRACKETS (VAR.332206)
1.75.4/07		AIR HEATER ENGINE STARTING AID LESS BATTERY ISOLATOR SWITCH (VAR.336206)
1.75.6	01	REAR LIGHT
1.75.6	02	FRONT LIGHT
1.75.6	03	HEADLAMP, HOOD
1.75.6/01		SMV EMBLEM WITH SUPPORT & 7-PIN TRAILER CONNECTOR - NA - RETROREFLECTOR SUPPORT (VAR.332960)
1.75.6/02		LIGHTS FOR RH DRIVE MARKETS - NA - REAR LIGHTS (VAR.333715)
1.75.6/02A		TAIL LAMP DIRECTION- BREAKDOWN
1.80.1	01	POWER TAKE-OFF (540 RPM)
1.80.1	02	POWER TAKE-OFF (540 RPM)
1.80.1/01	01	POWER TAKE-OFF (540-540E RPM) LESS GROUND SPEED - SHAFTS AND GEARS (VAR.333818)
1.80.1/01	02	POWER TAKE-OFF (540-540E RPM) LESS GROUND SPEED - LEVER AND BRACKET (VAR.333818)
1.80.1/02	01	POWER TAKE-OFF (540-540E RPM) WITH GROUND SPEED - SHAFTS AND GEARS (VAR.330804)
1.80.1/02	02	POWER TAKE-OFF (540-540E RPM) WITH GROUND SPEED - ROD AND FORK (VAR.330804)
1.80.1/02	03	POWER TAKE-OFF (540-540E RPM) WITH GROUND SPEED - LEVER AND BRACKET (VAR.330804)
1.80.1/02	04	POWER TAKE-OFF (540-540E RPM) WITH GROUND SPEED - ROD AND HANDLE (VAR.330804)
1.80.1/03	01	POWER TAKE-OFF (540-1000 RPM) - ISO - COVER, SHAFTS AND GEARS (VAR.330805)
1.80.1/03	02	POWER TAKE-OFF (540-1000 RPM) - ISO - ROD, FORK AND PLATES (VAR.330805)
1.80.1/04	01	POWER TAKE-OFF (540-1000 RPM) - NA - COVER, SHAFTS AND GEARS (VAR.330808)
1.80.1/04	02	POWER TAKE-OFF (540-1000 RPM) - NA - COUPLING (VAR.330808)
1.80.1/05		GROUND PTO CONTROL LEVER (VAR.330837)
1.82.0		LIFTER, HOUSING AND COVERS
1.82.1	01	LIFTER, LINES
1.82.1	02	LIFTER, LINES
1.82.1	03	LIFTER, LINES
1.82.1/01		REAR REMOTE VALVES - LIFTER, LINES (VAR.330107-331107-330108-332108-330195)
1.82.4	01	LIFTER DISTRIBUTOR AND VALVES - BREAKDOWN - C6635
1.82.4	02	LIFTER DISTRIBUTOR AND VALVES - BREAKDOWN - C6635
1.82.4	03	LIFTER DISTRIBUTOR AND VALVES - BREAKDOWN - C6635

TABLE OF CONTENTS

1.82.4	04	LIFTER DISTRIBUTOR AND VALVES - BREAKDOWN - C6635
1.82.4	05	LIFTER DISTRIBUTOR AND VALVES - BREAKDOWN - D6635
1.82.4	06	LIFTER DISTRIBUTOR AND VALVES - BREAKDOWN - D6635
1.82.4	07	LIFTER DISTRIBUTOR AND VALVES - BREAKDOWN - D6635
1.82.4	08	LIFTER DISTRIBUTOR AND VALVES - BREAKDOWN - D6635
1.82.5	01	LIFT CONTROL
1.82.5	02	LIFT CONTROL
1.82.5	03	LIFT CONTROL
1.82.5	04	LIFT CONTROL
1.82.5	05	LIFT CONTROL
1.82.5/01		LIFT-O-MATIC - LIFT CONTROL (VAR.330035)
1.82.6		CYLINDERS AND PISTONS
1.82.7	01	1 REAR REMOTE VALVE - REMOTE VALVES (VAR.330107-331107)
1.82.7	02	1 REAR REMOTE VALVE - RINGS (VAR.330107-331107)
1.82.7	03	1 REAR REMOTE VALVE- BRACKETS, UNION AND QUICK COUPLING (VAR.330107-331107)
1.82.7/ A	01	SIMPLE DOUBLE EFFECT DISTRIBUTOR WITH AUTOMATIC CUTOUT - BREAKDOWN
1.82.7/ A	02	SIMPLE DOUBLE EFFECT DISTRIBUTOR WITH AUTOMATIC CUTOUT - BREAKDOWN
1.82.7/ A	03	SIMPLE DOUBLE EFFECT DISTRIBUTOR WITH AUTOMATIC CUTOUT - BREAKDOWN
1.82.7/01	01	2 REAR REMOTE VALVES - REMOTE VALVES (VAR.330108-332108)
1.82.7/01	02	2 REAR REMOTE VALVES - RINGS (VAR.330108-332108)
1.82.7/01	03	2 REAR REMOTE VALVES - BRACKETS, UNION AND QUICK COUPLING (VAR.330108-332108)
1.82.7/01A	01	SIMPLE DOUBLE EFFECT DISTRIBUTOR WITH FLOAT AND AUTOMATIC CUTOUT - BREAKDOWN
1.82.7/01A	02	SIMPLE DOUBLE EFFECT DISTRIBUTOR WITH FLOAT AND AUTOMATIC CUTOUT - BREAKDOWN
1.82.7/01A	03	SIMPLE DOUBLE EFFECT DISTRIBUTOR WITH FLOAT AND AUTOMATIC CUTOUT - BREAKDOWN
1.82.7/02	01	3 REAR REMOTE VALVES FOR MDC - CONTROL VALVES (VAR.330195)
1.82.7/02	02	3 REAR REMOTE VALVES FOR MDC - RINGS (VAR.330195)
1.82.7/02	03	3 REAR REMOTE VALVES FOR MDC - BRACKETS, UNION AND QUICK COUPLING (VAR.330195)
1.82.7/02A	01	SIMPLE DOUBLE EFFECT DISTRIBUTOR WITH FLOAT - PARTS
1.82.7/02A	02	SIMPLE DOUBLE EFFECT DISTRIBUTOR WITH FLOAT - PARTS
1.82.7/03	01	2 MID - MOUNT REMOTE VALVES WITH JOYSTICK - REMOTE VALVES (VAR.330124-332124-330125-332125)
1.82.7/03	02	2 MID-MOUNT REMOTE VALVES WITH JOYSTICK LESS QUICK COUPLERS - BRACKETS (VAR.330124-332124)
1.82.7/03	03	2 MID-MOUNT REMOTE VALVES WITH JOYSTICK AND 4 QUICK COUPLERS - QUICK COUPLING (VAR.330125-332125)
1.82.7/03	04	2 MID-MOUNT REMOTE VALVES WITH JOYSTICK - PIPES (VAR.330124-330125)
1.82.7/03	05	2 MID-MOUNT REMOTE VALVES WITH JOYSTICK - FOR TRAILER BRAKE VALVE - PIPES (VAR.332124-332125)
1.82.7/03A	01	SIMPLE DOUBLE EFFECT DISTRIBUTOR - PARTS

TABLE OF CONTENTS

1.82.7/03A	02	SIMPLE DOUBLE EFFECT DISTRIBUTOR - PARTS
1.82.7/04		QUICK COUPLERS FOR REAR REMOTE VALVES (VAR.330730-330731-330732)
1.82.7/05		2 DELUXE FAST CONNECTORS AND OIL COLLECTION SYSTEM FOR 1 CONTROL VALVES (VAR.330543)
1.82.7/06		4 DELUXE FAST CONNECTORS AND OIL COLLECTION SYSTEM FOR 2 CONTROL VALVES (VAR.330544)
1.82.7/07		6 DELUXE FAST CONNECTORS AND OIL COLLECTION SYSTEM FOR 3 CONTROL VALVES (VAR.330545)
1.82.7/08		RAPID COUPLING DELUXE (VAR.330725-330733-330734)
1.82.713	01	HYDRAULIC TRAILER BRAKE - PIPES (VAR.330370-332371)
1.82.713	02	HYDRAULIC TRAILER BRAKE - PIPES AND BRAKE VALVE (VAR.330370-332371)
1.82.714	01	HYDRAULIC TRAILER BRAKE (ITALY) - PIPES (VAR.330372)
1.82.714	02	HYDRAULIC TRAILER BRAKE (ITALY) - PIPES (VAR.330372)
1.82.714	03	HYDRAULIC TRAILER BRAKE (ITALY) - SOLENOID VALVES (VAR.330372)
1.82.8		SHAFT AND IDLER UNIT
1.82.8/01		HPL WITH MECHANICAL DRAFT CONTROL FOR APUH - CONNECTION SHAFT (VAR.330128)
1.83.0	01	HOODS - C6506
1.83.0	01A	HOODS - D6506
1.83.0	02	HOODS - C6506
1.83.0	02A	HOODS - D6506
1.83.0	03	HOODS
1.83.0	04	HOODS
1.83.0	05	HOODS
1.87.0	01	MUDGUARDS AND FOOTBOARDS
1.87.0	02	MUDGUARDS AND FOOTBOARDS
1.87.0	03	MUDGUARDS AND FOOTBOARDS
1.87.0/01	01	FIXED PLATFORM LESS FRONT GRABRAILS - MUDGUARDS AND FOOTBOARDS (VAR.330315-330317)
1.87.0/01	02	FIXED PLATFORM LESS FRONT GRABRAILS - MUDGUARDS AND FOOTBOARDS (VAR.330315-330317)
1.87.0/02	01	FIXED PLATFORM WITH NOISE REDUCTION KIT - MUDGUARDS AND FOOTBOARDS (VAR.331101-335101)
1.87.0/02	02	FIXED PLATFORM WITH NOISE REDUCTION KIT - MUDGUARDS AND FOOTBOARDS (VAR.331101-335101)
1.87.0/02	03	FIXED PLATFORM WITH NOISE REDUCTION KIT - MUDGUARDS AND FOOTBOARDS (VAR.331101-335101)
1.87.0/03		FLAT TYPE EXTENSIONS FOR REAR FENDERS (VAR.331492)
1.89.3		FIXED HOOK, CAT. "C" D=29MM - PARTS (VAR.330891)
1.89.3/01	01	SUPPORT AND DRAWBAR CATEGORY "C" TOW HOOK - PARTS (VAR.330906)
1.89.3/01	02	SUPPORT AND DRAWBAR CATEGORY "C" TOW HOOK - PARTS (VAR.330906)
1.89.3/02		SWIVEL HOOK, VERTICAL ADJUST, W/PIN (PITON) - FRANCE (VAR.330893)
1.89.3/02A		TOW HOOK - BREAKDOWN
1.89.3/03		SWIVEL HOOK FOR EEC, VERTICAL ADJUST SLIDING (GERMANY) - TON HOOK (VAR.330897)

TABLE OF CONTENTS

1.89.3/03A		TOW HOOK - BREAKDOWN
1.89.3/03B		TOW HOOK - BREAKDOWN
1.89.3/04		TOW-BAR CATEGORY "A" TOW HOOK 33 MM (VAR.330907)
1.89.3/05		DRAWBAR 33 MM FOR PITON - PARTS (VAR.330911)
1.89.3/06		TOW-BAR CAT."A" TOW HOOK 33MM. LESS CLEVIS - NA (VAR.330905)
1.89.3/07		TOW-BAR CAT."A" TOW HOOK 33MM. WITH CLEVIS (VAR.330896)
1.89.3/08		LINKAGE DRAWBAR CAT."2" (VAR.330899)
1.89.4		TRAILER BRAKE BRACKET (ITALY) (VAR.330895)
1.89.6	01	IMPLEMENT CARRIER
1.89.6	02	IMPLEMENT CARRIER
1.89.6	03	IMPLEMENT CARRIER
1.89.6	04	IMPLEMENT CARRIER
1.89.6	05	IMPLEMENT CARRIER
1.89.6/ A		IMPLEMENT CARRIER
1.89.6/01		IMPLEMENT CARRIER WITH FLEXIBLE LINK ENDS (VAR.330953)
1.89.6/01A		FLEXIBLE LINK ENDS - BREAKDOWN
1.89.6/02		IMPLEMENT CARRIER WITH WITH QUICK ATTACH ENDS (VAR.330922)
1.89.6/02A		IMPLEMENT CARRIER - BREAKDOWN
1.89.6/02B		"C.B.M." QUICK COUPLING FOR LIFT ARMS - BREAKDOWN
1.89.9		IMPLEMENT CARRIER WITH 2 PIN TYPE TELESCOPIC STABILIZERS (VAR.330904-330922-330953)
1.89.9/ A		LATERAL STABILIZERS - BREAKDOWN
1.90.5		TOOL BOX SUPPORT
1.90.5/01		TOOL BOX (VAR.332998)
1.90.5/02		TOOLS (VAR.332996)
1.90.7		FIRE EXTINGUISHER PREDISPOSITION - D6654
1.91.1		SWITCH AND RELATED PARTS
1.92.10	01	THROTTLE CONTROL LINKAGE
1.92.10	02	THROTTLE CONTROL LINKAGE
1.92.26	01	CLUTCH CONTROL
1.92.26	02	PTO CONTROLS
1.92.26/01		16X16 HYDRAULIC TRANSMISSION WITH SYNCHRO GEARS AND POWER SHUTTLE - CLUTCH PEDAL (VAR.330278)
1.92.63	01	STEERING WHEEL, COLUMN, HYDRAULIC DRIVE MOTOR
1.92.63	02	POWER STEERING PIPES
1.92.63	03	POWER STEERING PIPES
1.92.63/ A	01	HYDRAULIC STEERING - BREAKDOWN
1.92.63/ A	02	HYDRAULIC STEERING - BREAKDOWN

TABLE OF CONTENTS

1.92.63/01		TILTABLE STEERING COLUMN - STEERING COLUMN (VAR.334644-335644)
1.92.67		BRAKE OPERATING
1.92.68	01	BRAKE PEDALS
1.92.68	02	BRAKE PEDALS
1.92.74	01	ELECTRIC CONTROLS
1.92.74	02	POWER SHUTTLE LEVER COVER
1.92.75		ELECTRIC CONTROLS
1.92.75/ A		INSTRUMENT CLUSTER - BREAKDOWN
1.92.75/01		HYDRAULIC TRANSMISSION FOR WATERPROOFING - CABLES (VAR.331448-339448-333449)
1.92.762		ROTATING BEACON (VAR.331916)
1.92.82		LIFTER OUTER CONTROLS
1.92.82/01		2 REAR REMOTE VALVES - LEVERS
1.92.82/02		LIFT - O - MATIC - LIFTER OUTER CONTROLS (VAR.330035)
1.92.82/03		JOYSTICK FOR REAR REMOTE VALVES (VAR.330722)
1.92.82/04		3 REAR REMOTE VALVES FOR MDC - LEVERS AND KNOBS (VAR.330195)
1.92.82/05		2 MID-MOUNT REMOTE VALVES WITH JOYSTICK - JOYSTICK (VAR.330124-332124-330125-332125)
1.92.83		FRONT CONSOLE TRIM
1.92.83/01		STEERING COLUMN FOR HYDRAULIC TRANSMISSION - FRONT CONSOLE TRIM (VAR.333637-335644)
1.92.85		SEAT
1.92.85/ A		SEAT - BREAKDOWN
1.92.85/01		SEAT WITH BELTS (VAR.330155)
1.92.85/01A		SEAT WITH BELTS - BREAKDOWN
1.92.85/02		VINYL SEAT WITH RETRACTABLE BELTS AND SAFETY SWITCH (VAR.330157)
1.92.85/02A		VINYL SEAT WITH RETRACTABLE BELTS AND SAFETY SWITCH - BREAKDOWN
1.92.87		COVERINGS
1.92.87/01		LIFT - O - MATIC - COVERINGS (VAR.330035)
1.92.872		REAR VIEW MIRROR (VAR.330885-331878)
1.92.89		SAFETY FRAME
1.92.89/01		FOLDABLE ROPS WITH SILENT BLOCK (VAR.331874)
1.92.89/02		ROLLBAR ASSEMBLY - FOLDABLE ROPS (VAR.332874)
1.92.89/03		FOLDING ROPS CANOPY (VAR.332857)
1.92.99		LICENCE PLATE SIDE FENDER MOUNTED AND 7-PIN ISO TRAILER SOCKET - SUPPORT (VAR.332958)
81.00		FRONT WHEELS - 2WD
82.00	01	DRIVING WHEELS - 4WD
82.00	02	DRIVING WHEELS - 4WD
82.00	03	DRIVING WHEELS - 4WD

TABLE OF CONTENTS

82.00	04	DRIVING WHEELS - 4WD
82.00	05	DRIVE WHEELS
82.00	06	DRIVING WHEELS - 4WD
83.00	01	DRIVE WHEELS
83.00	02	DRIVE WHEELS
83.00	03	DRIVE WHEELS
83.00	04	DRIVE WHEELS
83.00	05	DRIVE WHEELS
1.98.0	01	DECALS - C6624
1.98.0	01A	DECALS - D6624
1.98.0	02	DECALS
1.98.0	03	DECALS
1.98.0	04	DECALS - C6624
1.98.0	04A	DECALS - D6624
1.98.0/01	01	NA PACKAGE - PLATES (VAR.330007)
1.98.0/01	02	NA PACKAGE- PLATES (VAR.330007)
1.98.0/01	03	NA PACKAGE- PLATES (VAR.330007)
1.98.0/01	04	NA PACKAGE - PLATES (VAR.330007)
1.98.0/02		GERMAN VERSION - DECALS (VAR.331972)
1.98.2		MODEL IDENTIFICATION DECALS

SECTION INDEX

GENERAL

0.0040		VARIATION
0.0040/01		VARIATION
0.0040/02		VARIATION
0.0042		SERVICE PARTS CATALOGUE AND BINDER
0.01.1		INITIAL STOCKING LIST (ISL)
0.05.4	01	MAINTENANCE PARTS - FILTERS
0.05.4	01	MAINTENANCE PARTS - FILTERS
0.05.4	01	MAINTENANCE PARTS - FILTERS
0.05.4	02	MAINTENANCE PARTS - STARTER MOTOR, ALTERNATOR, BELTS
0.05.4	03	MAINTENANCE PARTS - FUSES
0.05.4	04	MAINTENANCE PARTS - BULBS
0.05.4	05	MAINTENANCE PARTS - PUMPS
D.I.A.		DEALER INSTALLED ACCESSORY KITS INDEX
MAIN		MAIN SECTIONS
SEC. 01	01	ENGINE
SEC. 01	02	ENGINE
SEC. 02		ENGINE EQUIP.
SEC. 03		TRANSMISSION
SEC. 04		FRONT AXLE
SEC. 05		REAR AXLE
SEC. 06		ELECTRICAL
SEC. 07		HYDRAULICS
SEC. 08		SHEET METAL
SEC. 09		LINKAGE
SEC. 10		DRIVER'S COMPARTMENT
SEC. 11	01	TRACTION
SEC. 11	02	TRACTION
SEC. 13		DECALS

0.0040

p1

10/201
6

VARIATION

VARIANT CODE	DESCRIPTION	APPLICATION	
		T4020 Std	T4030 Std
333006	F5C 4cyl. Tier3 Engine without battery isolator switch (See Sgr. 1.75.4/01)	●	●
330007	NA - North American package (See sec. 10-13)	●	●
330009	Viscous cooling fan (See sgr. 0.34.5)	●	●
330035	Lift-o-Matic device (See sec. 7-10)	●	●
330045	PTO shield protection fix type (See sgr. 1.80.1)	●	●
331101	Fixed platform with noise reduction kit (See sgr. 1.87.0/02)	●	●
335101	Fixed platform with noise reduction kit or high clearance tank (See sgr. 1.87.0/02)	●	●
330107	One rear remote valve (1 S/D w/kickout) for MDC (See sec. 7)	●	●
331107	One rear remote valve (1 S/D w/kickout) for mid-mount and MDC (See sec. 7)	●	●
330108	Two rear remote valves (1 S/D w/kickout + 1 S/D w/kickout & float) for MDC (See sec. 7)	●	●
332108	Two rear remote valves (1 S/D w/kickout + 1 S/D w/kickout & float) for mid-mount and MDC (See sec. 7)	●	●
330111	28X16 for 16x16 mechanical transmission (See sec. 3)	●	●
332111	Interlock for mechanical transmission - NA (See sec. 3)	●	●
330124	Two mid-mount control valves (1 S/D + 1 S/D w/float) with joystick for MDC (See sec. 7-10)	●	●
332124	Two mid-mount control valves (1 S/D + 1 S/D w/float) with joystick for hydraulic trailer brake (See sec. 7-10)	●	●
330125	Two mid-mount control valves (1 S/D + 1 S/D w/float) with joystick and 4 quick couplers (See sec. 7-10)	●	●
332125	Two mid-mount control valves (1 S/D + 1 S/D w/float) with joystick and 4 quick couplers for hydraulic trailer brake (See sec. 7-10)	●	●
330128	HPL with MDC and APUH (See sgr. 1.82.8/01)	●	●
330134	Vertical exhaust with guard shield (See sgr. 1.15.1/01)	●	●
330135	Fuel tank protection (See sgr. 1.14.0/01)	●	●
331135	Shield protection for base fuel tank (See sgr. 1.14.0/03)	●	●
330150	Horizontal exhaust with guard shield (See sgr. 1.15.1/02)	●	●
330155	Seat with retractable belt (See sgr. 1.92.85/01)	●	●
330157	Seat with retractable belt & safety switch (See sgr. 1.92.85/02)	●	●
330195	Three rear remote valves (1 S/D w/kickout + 1 S/D w/kickout & float + 1 S/D float) for MDC (See sec. 7-10)	●	●
330200	Dry air cleaner with pre-cleaner and dust ejector (See sgr. 1.19.1/01)	●	●
332206	Air heater engine starting aid (Vedi sgr.1.75.4/06)	●	●
336206	Air heater engine starting aid less battery isolator switch (See sgr.1.75.4/07)	●	●
330209	High clearance fuel tank (See sec. 2)	●	●
330234	60kg. front weight carrier with integrated tow hook (See sgr. 1.44.0)	●	●
330235	Front weight carrier, 4 weights 40kg. each & integrated hook (220kg.) (See sgr. 1.44.0/01)	●	●
330236	Front weight carrier, 6 weights 40kg. each & integrated hook (300kg.) (See sgr. 1.44.0/02)	●	●
330271	16X16 mechanical transmission with synchro gear and synchro shuttle (See sec. 3)	●	●
330278	16X16 hydraulic transmission with synchro gear and power shuttle (See sec. 3-6-10)	●	●
337280	40Km/h top speed selection (See sgr. 1.32.1)	●	●
330307	front electrohydraulic 4WD engagement for MDC (See sec. 3-4)	●	●
333307	front electrohydraulic 4WD engagement for MDC and waterproof (See sec. 3-4)	●	●
330315	Fixed platform with floor mat, less front grabrails (See sgr. 1.87.0/01)	●	●
330317	Fixed platform with antislip strips, less front grabrails (See sgr. 1.87.0/01)	●	●
331324	Front axle with limited slip diff., with front brakes (40 Km/h) (See sec. 4-5)	●	●
330328	Front axle with limited slip diff., less front brakes (30 Km/h) (See sgr. 1.40.1/07)	●	●
332328	Front axle with limited slip diff., less front brakes (40 Km/h) (See sec. 4)	●	●
330370	Hydraulic trailer brake (See sgr. 1.82.713)	●	●
332371	Hydraulic trailer brake for mid-mount valves (See sgr. 1.82.713)	●	●
330372	Hydraulic trailer brake (Italy) (See sgr. 1.82.714)	●	●
330381	Rear mechanical differential lock for 2WD/4WD with mega pump, oil cooler and mechanical transm. (See sec. 3-4)	●	●
331381	Rear mechanical differential lock for 4WD with electro-hydraulic engagement and mechanical transm. (See sec. 3-4)	●	●
332381	Rear mechanical differential lock for 4WD for power shuttle (See sec. 3-4)	●	●
335381	Rear mechanical differential lock for 4WD with electro-hydraulic engagement for power shuttle (See sec. 3-4)	●	●
330400	4WD standard steering for 16x16 mechanical transm. with synchro gear and synchro shuttle (See sec. 3-6)	●	●
332400	4WD standard steering for 16x16 mechanical transm. with synchro gear and synchro shuttle - NA (See sec. 3-6)	●	●
330401	2WD steering for 12x12 mechanical transm. with synchro gear and synchro shuttle (See sec. 3-6)	●	●

**Thanks very much for your reading,
Want to get more information,
Please click here, Then get the complete
manual**

JustClickHere 

NOTE:

**If there is no response to click on the link above,
please download the PDF document first, and then
click on it.**

**Have any questions please write to me:
admin@servicemanualperfect.com**